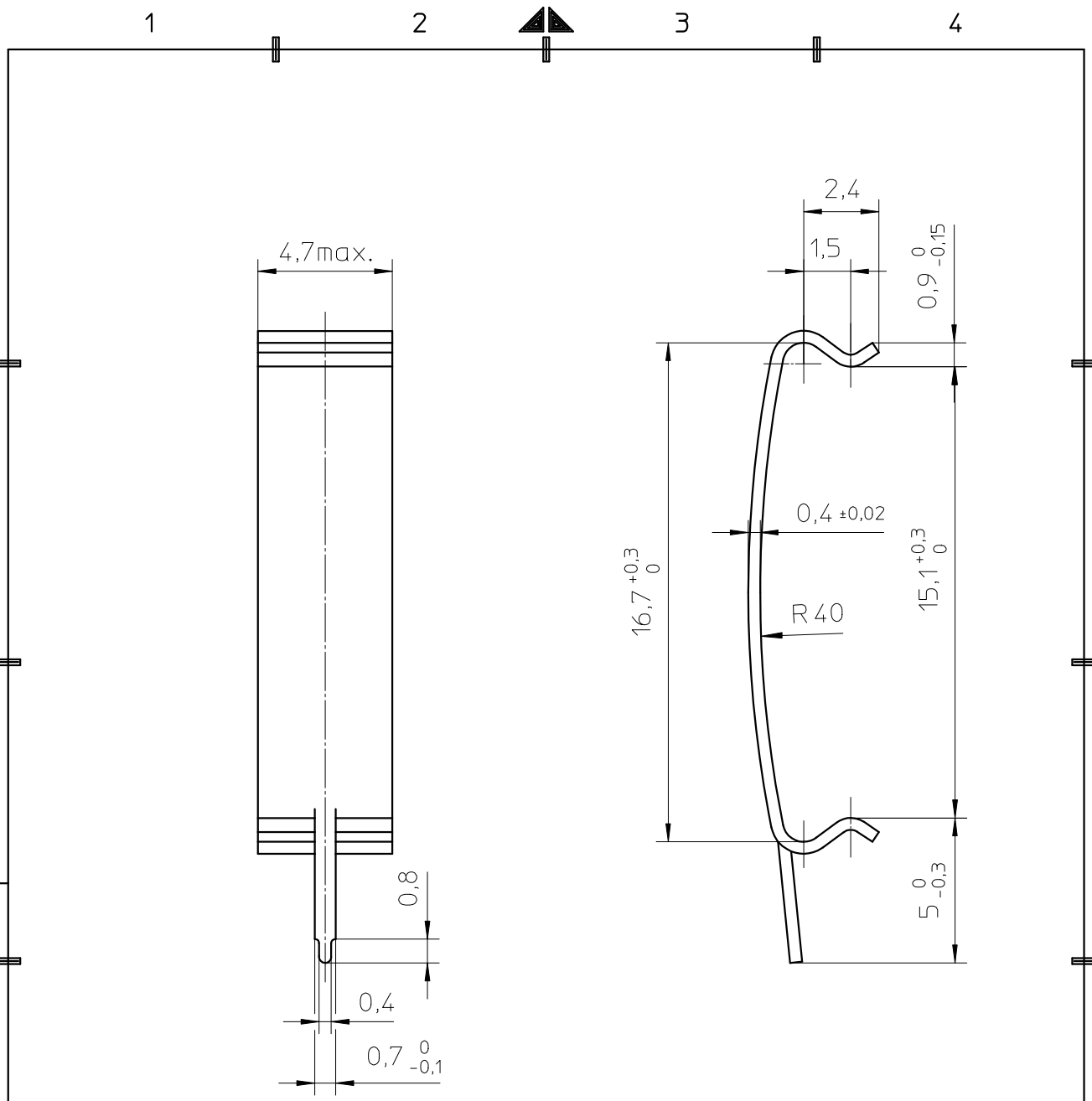
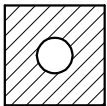
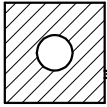


**FERROXCUBE**



Clamping force by 16.2 mm : 30N.

Clip material : corrosion resisting steel X12 CrNi 17 7 - Ni flash, Sn plated

Solderability : IEC 60 068-2-20 Part 2, Test Ta, method 1.

CLASS.NO.		CLI/P-RM10/I	4322 021 34321		93-06-11	
96-11-29					93-09-29	
					96-03-27	
					96-11-29	
				04-10-20		
NAME NAAM	M.Veekens	SUPERS. VERV.	1	SH BL.	112 - 001 010	A4
MPA	CHECK CONTR.	DAT.	91-02-22	Property of Eigendom van	© FERROXCUBE 2000	