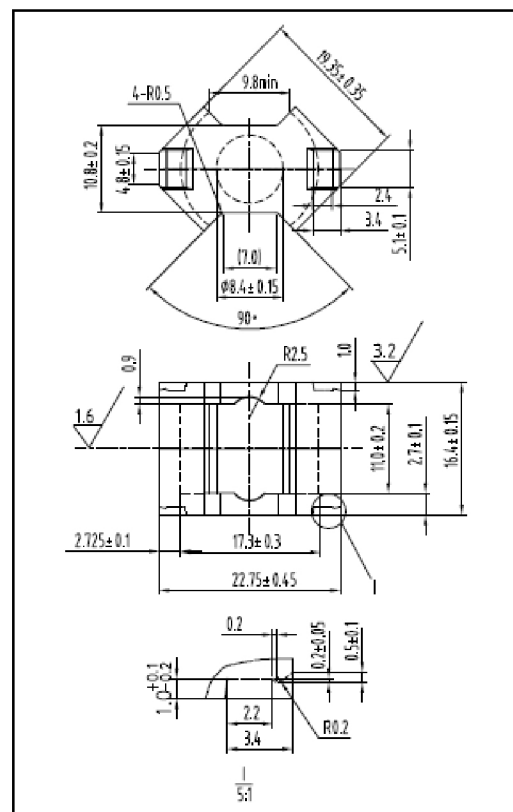


CORE SETS

Effective core parameters

SYMBOL	PARAMETER	VALUE	UNIT
$\Sigma (1/A)$	core factor (C_1)	0.59	mm^{-1}
V_e	effective volume	2432.00	mm^3
l_e	effective length	38.00	mm
A_e	effective area	64.00	mm^2
A_{\min}	minimum area	55.40	mm^2
W_t	mass of core set	≈ 12.4	g



Characteristic

GRADE	AL (nH/N^2)	μ_i
	$f=10\text{kHz}$ $U=0.25\text{V}$	$f=10\text{kHz}$ $U=0.25\text{V}$
R4K	$5700 \pm 25\%$	≈ 4300
R5K	$6900 \pm 25\%$	≈ 5000
R7K	$9750 \pm 25\%$	≈ 7000
R10K	$13050 \pm 25\%$	≈ 10000
R12KZ	$15660 \pm 25\%$	≈ 12000