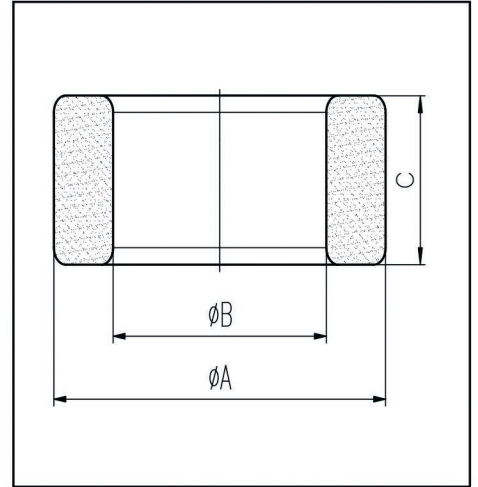


H cores

CORE SETS

Effective core parameters

SYMBOL	PARAMETER	VALUE	UNIT
$\Sigma (1/A)$	core factor (C_1)	0.69	mm^{-1}
V_e	effective volume	9841.30	mm^3
l_e	effective length	82.70	mm
A_e	effective area	119.00	mm^2
W_t	mass of core	≈ 54.2	g



尺寸 Coat	A	B	C
	Uncoat	38.0 ± 0.5	19 ± 0.5
Coated	39.0_{max}	18.1_{min}	13.9_{max}

Note: With grass green epoxy coating

Characteristic

GRADE	$AL (\text{nH/N}^2)$	μi
	$f=10\text{kHz}$ $U=0.25\text{V}$	$f=10\text{kHz}$ $U=0.25\text{V}$
R5K	$9000 \pm 25\%$	≈ 5000
R7K	$12600 \pm 25\%$	≈ 7000
R10K	$18000 \pm 30\%$	≈ 10000
R12K	≥ 14400	≈ 12000