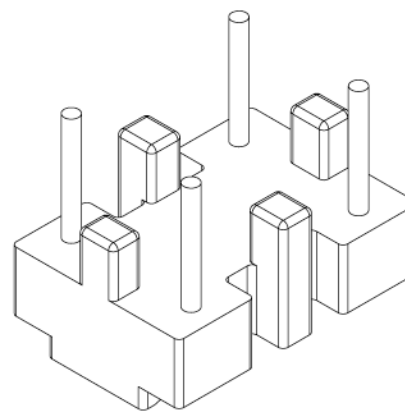
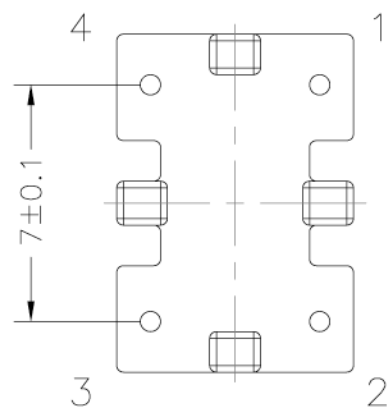
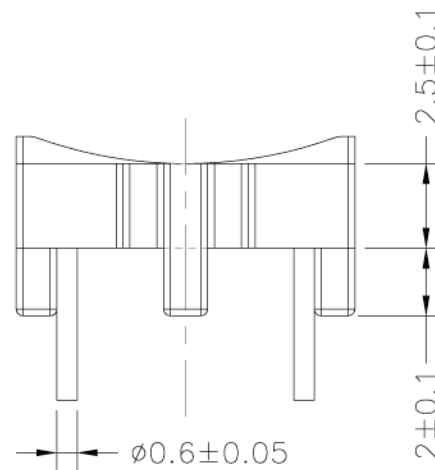
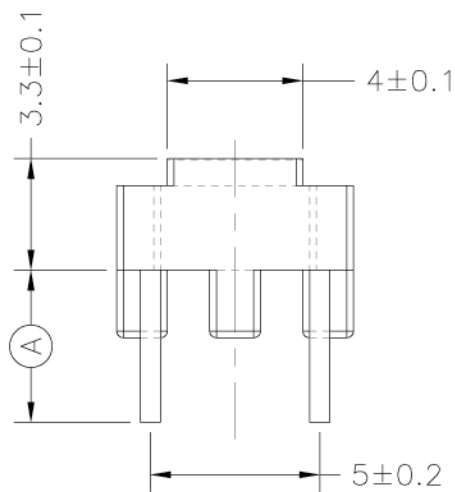
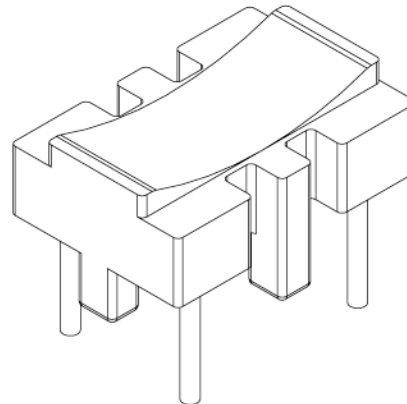
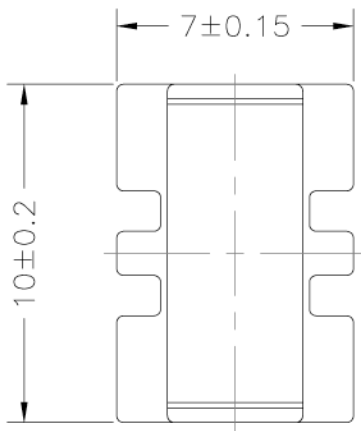


LEPCOS (North-West Laboratory)

http://ferrite.ru Tel/fax +7-812-369-11-54

REVISIONS

REV	SYM	DRAFTER	CHECKER	DATE
①		S.Y.TANG	G.F.YANG	09/02/09
②				
③				



DWG NO. B10X7-4P-TH-5.0-C-12

PART NO.	MATERIAL (BOBBIN)	MATERIAL (TERMINAL)	TERMINAL (PLATING)	PIN ALLOCATION	NOTE
----------	-------------------	---------------------	--------------------	----------------	------

TBI-220-16031.1206	PM-9820	CP WIRE	Sn	ALL PIN (A)=4.5±0.3	
--------------------	---------	---------	----	---------------------	--

TBI-220-16031.1216	PM-9820	CP WIRE	Sn	ALL PIN (A)=5.4±0.3	
--------------------	---------	---------	----	---------------------	--

TOLERANCE: X±0.15 .XX±0.10 .XXX±0.05 UNIT : m / m SCALE 1 : 1

Finish: 1. PB wire Immersion Sn on terminal : Thickness:Sn plating,100,5 μm (200 μ inches) min,Base nickel 0.625 μm (25 μ inches) min.
 2. CP wire Immersion Sn on terminal : Thickness:Sn plating,100,5 μm (200 μ inches) min.
 3. Coplanarity deviation: 0.10 mm (0.004 inches) max.

REV 1