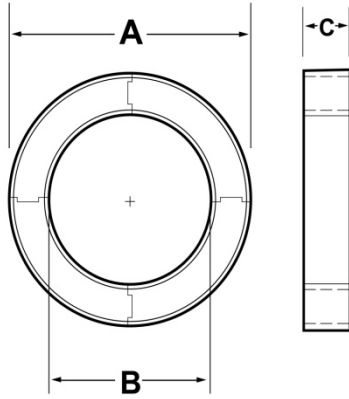




# 00K133TC026

110 Delta Drive  
 Pittsburgh, PA 15238  
 Phone: 412/696-1333  
 Fax: 412/696-0333  
 Email:magnetics@spang.com



Permeability ( $\mu$ )	$A_L$ (nH/T <sup>2</sup> )
26	68 $\pm$ 8%

DIMENSIONS (mm)		
A	134.9	Nom.
B	76.3	Nom.
C	26.9	Nom.

Markings		
XXXXXX	00K133AR026	N/A
Lot Number	Part Number	Inductance Grade

Physical Characteristics					
$W_A$ (mm <sup>2</sup> ) Window Area	$A_e$ (mm <sup>2</sup> ) Cross Section	$L_e$ (mm) Path Length	$V_e$ (mm <sup>3</sup> ) Volume	Weight (grams)	Box Quantity (pieces)
4570	669	324	217000	1170	10

The 00K133TC026 is configured with four 00K133AR026 (arcs) dimensions include plastic top and bottom caps.

