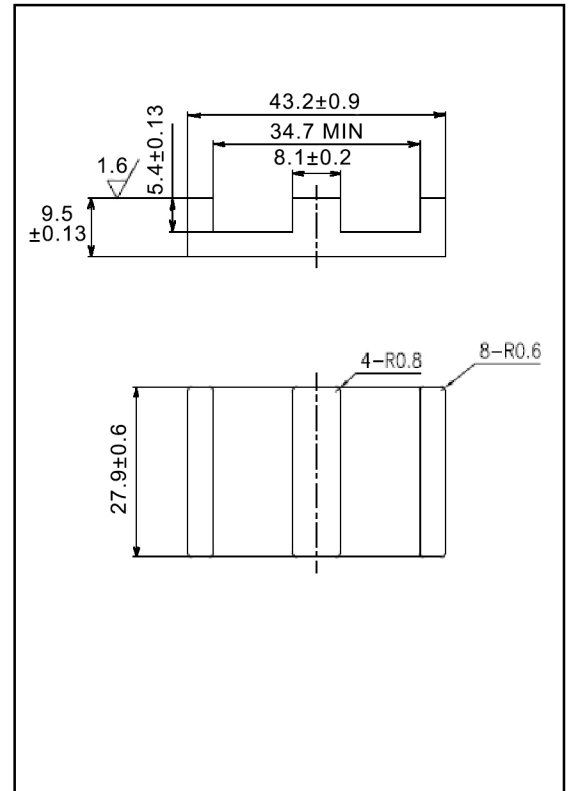


CORE SETS

Effective core parameters

SYMBOL	PARAMETER	VALUE	UNIT
$\Sigma (1/A)$	core factor ( $C_1$ )	0.31	$\text{mm}^{-1}$
$V_e$	effective volume	15764.0	$\text{mm}^3$
$l_e$	effective length	70.0	mm
$A_e$	effective area	225.2	$\text{mm}^2$
$A_{\text{min}}$	minimum area	223.2	$\text{mm}^2$
$W_t$	mass of core set	$\approx 80$	g



Characteristic

GRADE	AL ( $\text{nH}/\text{N}^2$ )	B (mT)	CORE LOSS (W)
	f=10kHz U=0.25V	H=250A/m f=25kHz T=100°C	f=100kHz B=200mT T=100°C
DMR40	$6700 \pm 25\%$	$\geq 315$	$\leq 9.6$
DMR44	$6700 \pm 25\%$	$\geq 315$	$\leq 8.8$