



Product information

IEC Socket type power filter-DBI6

Description

Small size, easy to install, customizable, with strong anti-interference, high performance characteristics, AC power socket input, plug-in output connection, with fuse and switch.

Technical Data

Rated Voltage	115/250VAC
Line Frequency	50/60Hz
Test Voltage	1500VDC (line/line) 2150VAC (line/ground)
Insulation Resistance	>50M @500VDC
Temperature Rise	<30
Climatic Category	25/085/21
Housing Material	Nickel-plated iron

Approval & Compliance



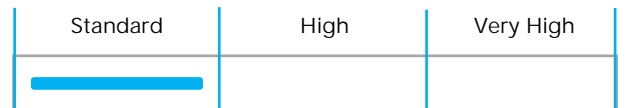
Features

- Rated current : 1A-10A
- Strong anti-interference, high performance
- Fuse and switch available
- Can be customized upon request

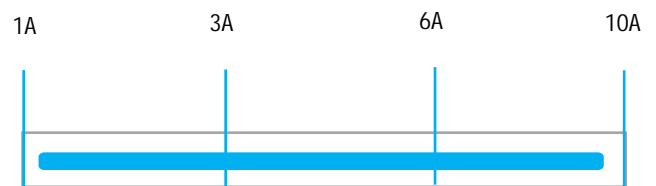
Applications

- Portable electrical and electronic equipment
- Single-phase power supply, switching power supply
- Test and measurement equipment
- EDP and office equipment
- Autonomous robots and so on

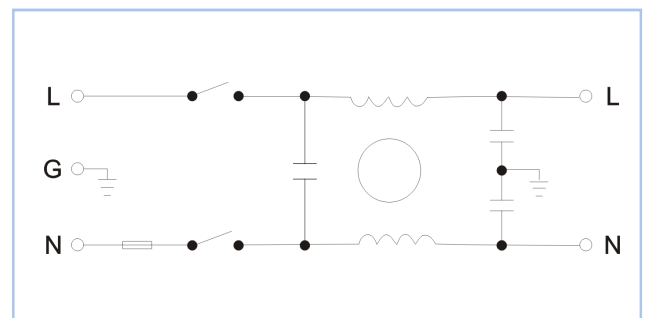
Performance Indicator



Rated Current [A]

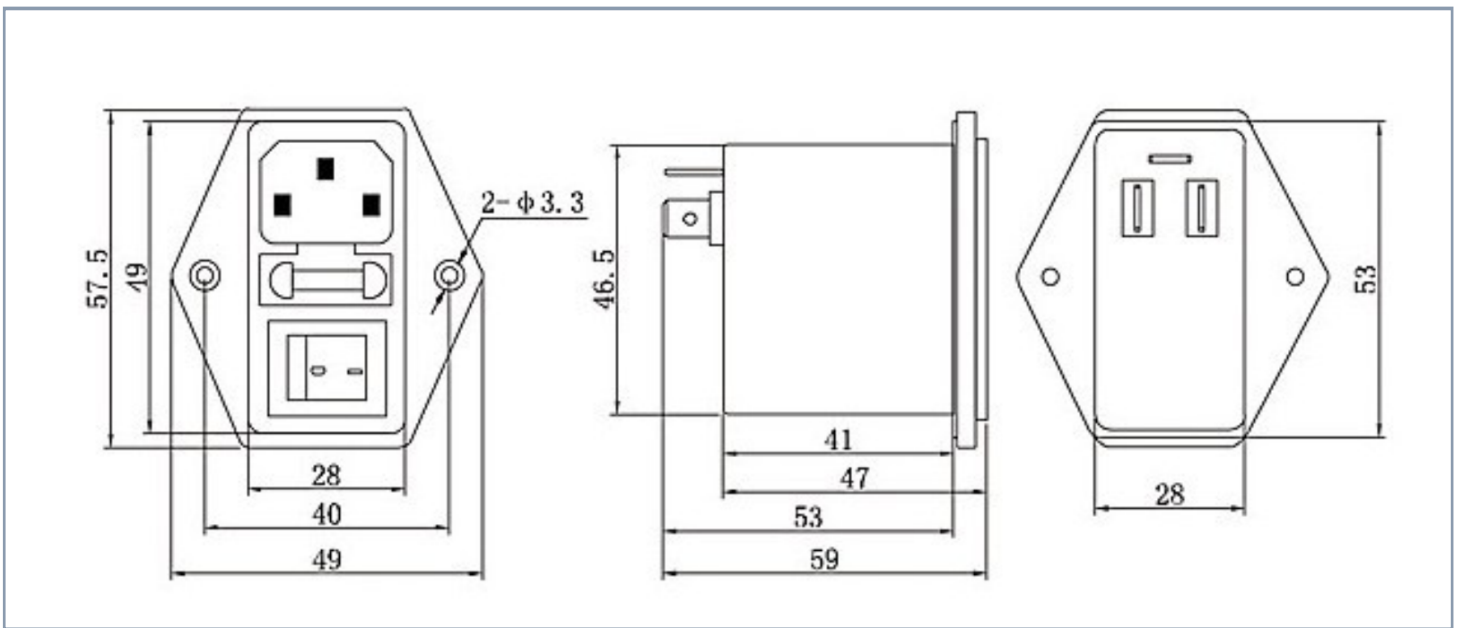


Typical Circuit Diagram



Part No	Rated Current	Rated Current	Case Type	Termination		Safety Certification	Remark
				Input	Output		
DBI6-1A	1A	<0.5mA	I6	Socket	Terminal	cUL, CE, ROHS	Parameter customization
DBI6-3A	3A	<0.5mA	I6	Socket	Terminal		
DBI6-6A	6A	<0.5mA	I6	Socket	Terminal		
DBI6-10A	10A	<0.5mA	I6	Socket	Terminal		

Overall Dimension (±1mm)



Insertion loss -(common mode)

